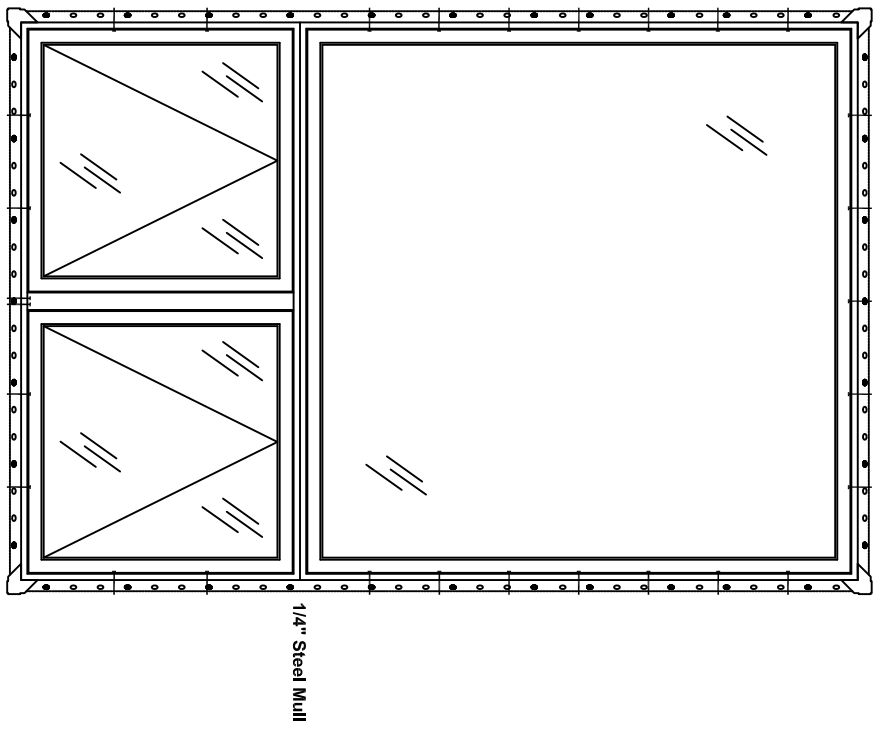


# EXTERIOR ELEVATION



For Mull End Installation, see Instructions attached to unit

**Gemini Clips**  
(Installation Clips installed reversed)  
Qty. of 2 at the mull ends

<b>MAX. FRAME SIZE (IN.)</b>	<b>IMPACT</b>
Awning 48" x 36"	NO
Casement Picture 96" x 72"	NO

APPLICABLE FOR SINGLE UNITS ONLY

### FRAME ANCHOR REQUIREMENTS TABLE

FRAME/CLIP TO OPENING FASTENER TYPE	MINIMUM EMBED	MINIMUM EDGE DIST.
#10 PFH screws into frame and wood substrate	1-1/4"	See pg. 2-4
#8 PFH Zinc treated screws into clip and wood substrate at an angle	1-1/2"	—
#8 PFH Zinc treated screws into clip and frame	FULL	See pg. 2-4

### Installation Method

Installation Clips	Screws thru the Frame
<p><b>Awning</b> Sides = 18" from corners Sill = 16" from corners Head = 16" from corners (<i>applies to single units only</i>)</p> <p><b>Fixed Casement</b> Sides = 12" from corners and on center Head = 12" from corners and on center Sill = 12" from corners (<i>applies to single units only</i>)</p> <p><i>Note: For individual units, see page 4.</i></p>	<p><b>Awning</b> Sides = 12" from corners and on center Sill = 12" from corners and on center Head = 12" from corners (<i>applies to single units only</i>)</p> <p><b>Fixed Casement</b> Sides = 10-1/4" from corners and on center Head = 8" from corners and on center Sill = 8" from corners (<i>applies to single units only</i>)</p> <p><i>Note: For individual units, see page 4.</i></p>



Ultra Series  
Awning with Casement Picture

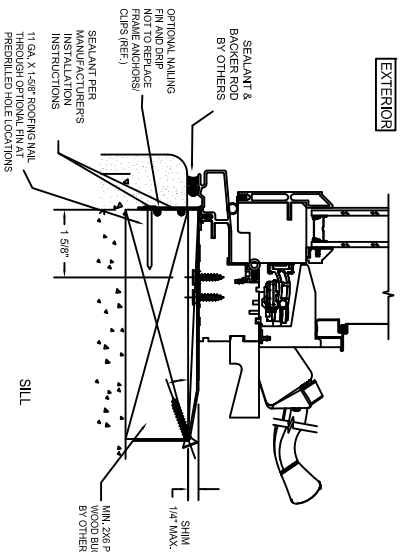
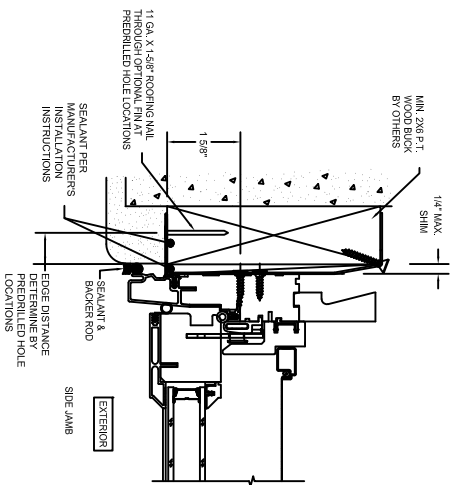
FL# 16692	R&D NO. 21095
Revision	Drawn By: KL
A	Date: 12/26/23
B	Sheet: 1 of 4
C	Drawing No. 21095

### GENERAL NOTES

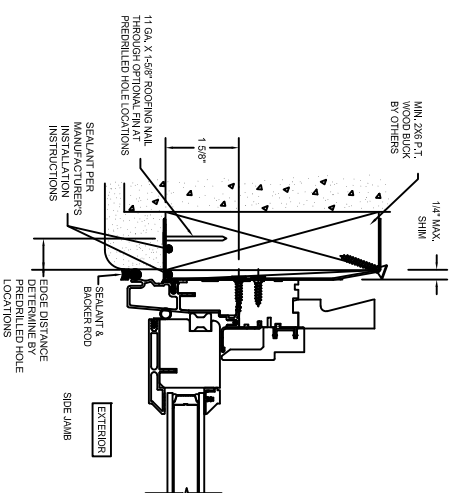
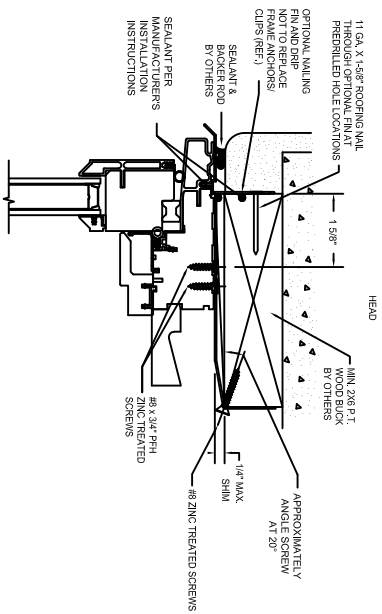
- These units have been tested, analyzed, Hallmark certified, and FBC approved.
- Buckling, openings, and bucking fasteners must be properly designed and installed to transfer wind loads to the structure. The unit was tested with 1/2" rough opening gap.
- These units were tested with condenser pine bucks. Florida Building Code requires preservative treated southern pine bucks.
- All hardware and fasteners shall be in accordance with these drawings and may not vary unless specifically mentioned on the drawings.
- These units have been tested only with non-impact units.
- Impact shutters are required only with non-impact units.
- All anchors shall be installed as specified on these drawings. Specified embedment base material shall be beyond wall finish or stucco.
- Testing of one wood species covers all other species with an equal or higher modulus of elasticity and modulus of rupture.
- Testing of primed covers testing of dead provided the cladding is not structural (extruded) or wraps around the gasket.
- Testing of windows and door with a given width and thickness of solid sills and rails covers products with wider and thicker solid sills and rails provided that construction details are consistent.
- Any fixed geometric shape that fits within the tested/approved size for a particular product type is qualified by the rectangular shape(s) provided the frame, sash, panels, components, and construction remain the same.
- All fixed shaped units must fit inscribed into the allowable rectangular units and be governed by allowable design pressure or the respective rectangular unit.
- Shims need to be located a maximum of 4" from each corner and a maximum of 4" from each anchor location.
- Testing of a combination assembly qualifies the individual units of that assembly with width & height less than or equal to the individual test unit size. Anchorage of the individual units shall be at all perimeter locations in accordance with these drawings.

# Installation Clip Installation - Combination Units

## Casement



## Casement Picture



### GENERAL NOTES

1. These units have been tested, analyzed, Hallmark certified, and FBC approved.
2. Buckling, openings, and bucking fasteners must be properly designed and installed to transfer wind loads to the structure. The unit was tested with 1/2" rough opening gap.
3. These units were tested with ponderosa pine bucks. Florida Building Code requires preservative treated southern pine bucks.
4. All hardware and fasteners shall be in accordance with these drawings and may not vary unless specifically mentioned on the drawings.
5. These units have been tested in accordance with and meet the requirements of the Florida Building Code.
6. Impact shutters are required only with non-impact units.
7. All anchors shall be installed as specified on these drawings. Specified embedment base material shall be beyond wall finish or stucco.
8. Testing of one wood species covers all other species with an equal or higher modulus of elasticity and modulus of rupture.
9. Testing of printed covers testing of clad provided the cladding is not structural (extruded) or wraps around the gasket.
10. Testing of windows and door with a given width and thickness of solid sills and rails covers products with wider and thicker solid sills and rails provided that construction details are consistent remain the same.
11. Any fixed geometric shape that fits within the tested/diapproved size for a particular product type is qualified by the rectangular shape(s) provided the frame, sash, panels, components, and construction remain the same.
12. All fixed shaped units must fit inserted into the allowable rectangular units and be governed by allowable design pressure or the respective rectangular unit.
13. Shims need to be located a maximum of 4" from each corner and a maximum of 4" from each anchor location.
14. Testing of a combination assembly qualifies the individual units of that assembly with width & height less than or equal to the individual test unit size. Anchorage of the individual units shall be at all perimeter locations in accordance with these drawings.

**KOLBE**  
WINDOWS & DOORS

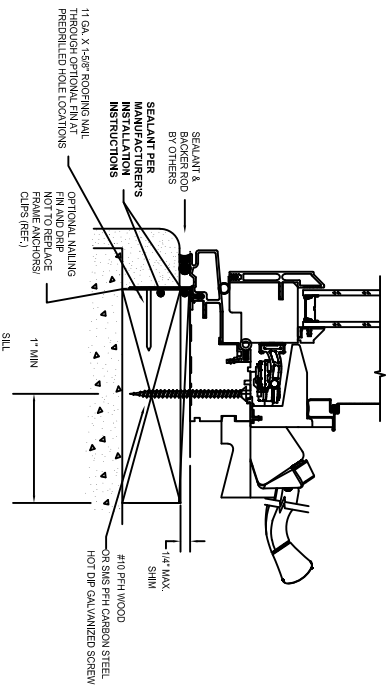
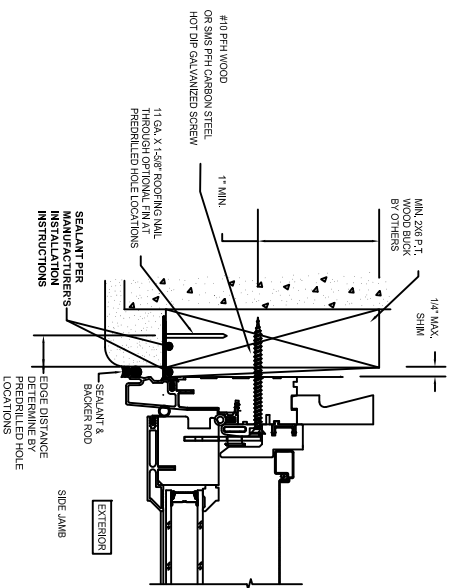
1323 South 11th Ave.  
Wausau, WI 54401  
715-842-5666

Ultra Series  
Awning with Casement Picture

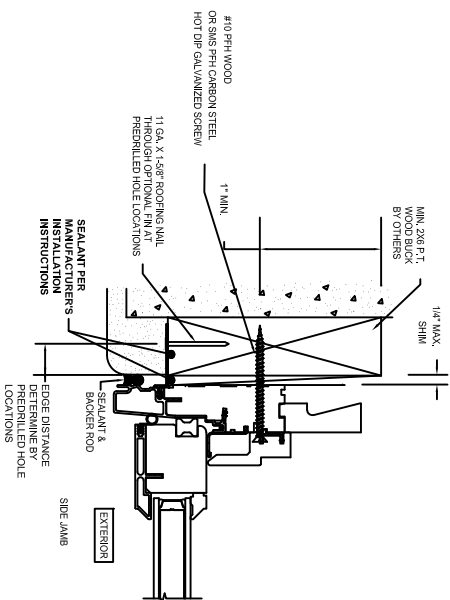
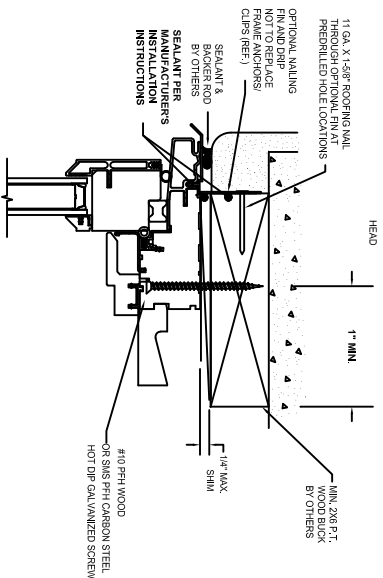
FL# 16692	R&D No. 21095
Revision	Drawn By: KL
A	Date: 12/26/23
B	Sheet: 2 of 4
C	Drawing No. 21095A

**Screw Installation - Combination Units**


**Awning Unit**



**Casement Picture**



- GENERAL NOTES**
1. These units have been tested, analyzed, Hallmark certified, and FBC approved.
  2. Bucking, openings, and bucking fasteners must be properly designed and installed to transfer wind loads to the structure. The unit was tested with 1/2" rough opening gap.
  3. These units were tested with ponderosa pine bucks. Florida Building Code requires preservative treated southern pine bucks.
  4. All hardware and fasteners shall be in accordance with these drawings and may not vary unless specifically mentioned on the drawings.
  5. These units have been tested in accordance with and meet the requirements of the Florida Building Code.
  6. Impact shutters are required only with non-impact units.
  7. All anchors shall be installed as specified on these drawings. Specified embedment base material shall be beyond wall finish or stucco.
  8. Testing of one wood species covers all other species with an equal or higher modulus of elasticity and modulus of rupture.
  9. Testing of primed covers testing of clad provided the cladding is not structural (extruded) or wraps around the gasket.
  10. Testing of windows and door with a given width and thickness of solid sills and rails covers products with wider and thicker solid sills and rails provided that construction details are consistent.
  11. Any fixed geometric shape that fits within the tested/approved size for a particular product type is qualified by the rectangular shape(s) provided the frame, sash, panels, components, and construction remain the same.
  12. All fixed shaped units must fit inscribed into the allowable rectangular units and be governed by allowable design pressure or the respective rectangular unit.
  13. Shims need to be located a maximum of 4" from each corner and a maximum of 4" from each anchor location.
  14. Testing of a combination assembly qualifies the individual units of that assembly with width & height less than or equal to the individual test unit size. Anchorage of the individual units shall be at all perimeter locations in accordance with these drawings.



**KOLBE**  
WINDOWS & DOORS

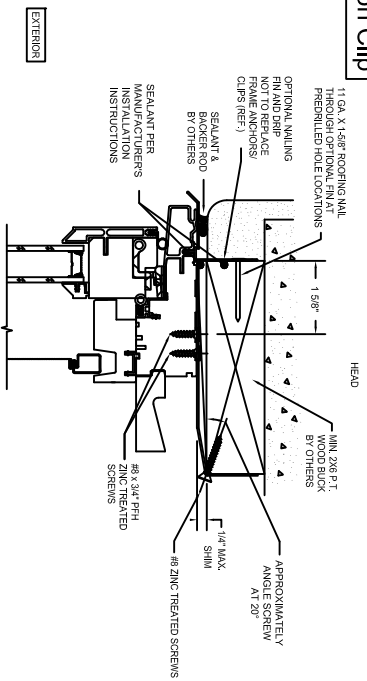
1323 South 11th Ave.  
Wausau, WI 54401  
715-842-5666

Ultra Series  
Awning with Casement Picture

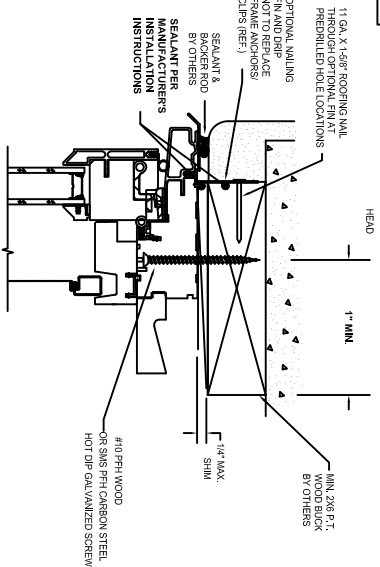
FL# 16692	R&D No. 21095
Revision	Drawn By: KL
A	Date: 12/26/23
B	Sheet: 3 of 4
C	Drawing No. 21095B

# Additional Detail for Individual Units

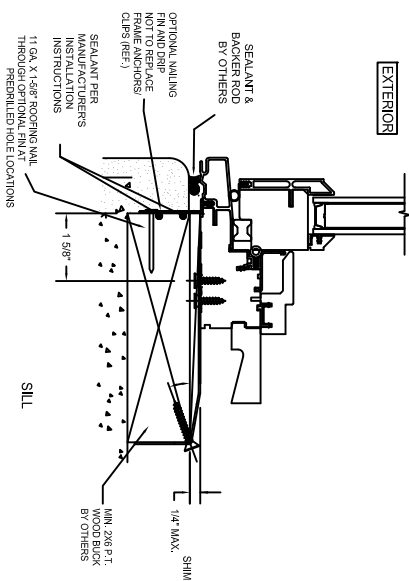
## Awning Unit



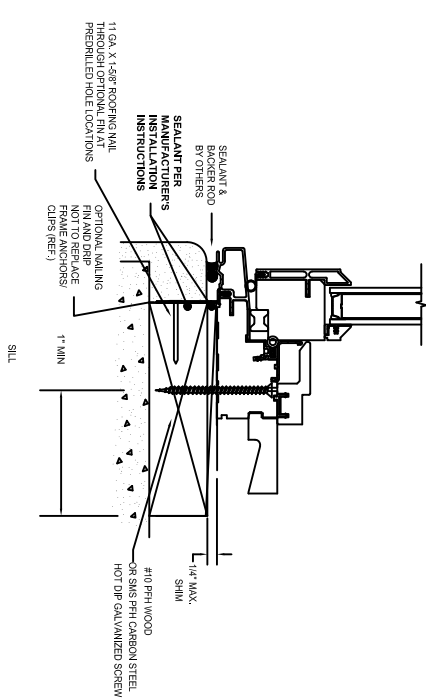
### Screw Installation



### Installation Clip



### Screw Installation



### GENERAL NOTES

1. These units have been tested, analyzed, Hallmark certified, and FBC approved.
2. Bucking, openings, and bucking fasteners must be properly designed and installed to transfer wind loads to the structure. The unit was tested with 1/2" rough opening gap.
3. These units were tested with ponderosa pine bucks. Florida Building Code requires preservative treated southern pine bucks.
4. All hardware and fasteners shall be in accordance with these drawings and may not vary unless specifically mentioned on the drawings.
5. These units have been tested in accordance with and meet the requirements of the Florida Building Code.
6. Impact shutters are required only with non-impact units.
7. All anchors shall be installed as specified on these drawings. Specified embedment base material shall be beyond wall finish or stucco.
8. Testing of one wood species covers all other species with an equal or higher modulus of elasticity and modulus of rupture.
9. Testing of primed covers testing of clad provided the cladding is not structural (extruded) or wraps around the gasket.
10. Testing of windows and door with a given width and thickness of solid siles and rails covers products with wider and thicker solid siles and rails provided that construction details are consistent remain the same.
11. Any fixed geometric shape that fits within the tested/approved size for a particular product type is qualified by the rectangular shape(s) provided the frame, sash, panels, components, and construction remain the same.
12. All fixed shaped units must fit inscribed into the allowable rectangular units and be governed by allowable design pressure or the respective rectangular unit.
13. Shims need to be located a maximum of 4" from each corner and a maximum of 4" from each anchor location.
14. Testing of a combination assembly qualifies the individual units of that assembly with width & height less than or equal to the individual test unit size. Anchorage of the individual units shall be at all perimeter locations in accordance with these drawings.

## Casement Picture



Ultra Series  
Awning with Casement Picture

FL# 16692	R&D No. 21095
Revision	Drawn By: KL
A	Date: 12/26/23
B	Sheet: 4 of 4
C	Drawing No. 21095C

1323 South 11th Ave.  
Wausau, WI 54401  
715-842-5666